



EFECTIS ERA AVRASYA TEST VE BELGELENDİRME A.Ş.

Dilovası Organize San. Böl. 5.Kısım Fırat Cad. No:18 41455

Dilovası, Kocaeli / TÜRKİYE

DENEY RAPORU

TEST REPORT



AB-0556-T

RFTR22211

06-23

Müşterinin adı/adresi : ÖZTÜRK HAVALANDIRMA İKLİMLENDİRME SAN. TİC. LTD. ŞTİ.
Customer name/address
Ferhatpaşa Mh. Aytaşı Sk. No: 63/2 Ataşehir, İstanbul / TÜRKİYE

İstek numarası : EEA-22-000273-REV3
Order No.

Numunenin adı ve tarifi : Powered Smoke and Heat Exhaust Axial Fan – **FAF-125**
Name and identity of test item

Numunenin kabul tarihi : 23.12.2022
The date of receipt of test item

Açıklamalar :
Remarks

Deneyin yapıldığı tarih : 23.12.2022
Date of test

Raporun sayfa sayısı : 13 (Totally 21 pages with annexes)
Number of pages of the Report

Deney laboratuvarı olarak faaliyet gösteren Efectis Era Avrasya Test ve Belgelendirme A.Ş., TÜRKAK'tan AB-0556-T ile TS EN ISO/IEC 17025:2017 standardına göre akredite edilmiştir.

Efectis Era Avrasya Test ve Belgelendirme A.Ş. accredited by TÜRKAK under registration number AB-0556-T for EN ISO/IEC 17025:2017 as test laboratory"

Türk Akreditasyon Kurumu(TÜRKAK) deney raporlarının tanınması konusunda Avrupa Akreditasyon Birliği(EA) ve Uluslararası Laboratuvar Akreditasyon Birliği(ILAC) ile karşılıklı tanınma antlaşmasını imzalamıştır.

The Turkish Accreditation Agency(TURKAK) is signatory to the multilateral agreements of the European co-operation for the Accreditation(EA) and of the International Laboratory Accreditation(ILAC) for the Mutual recognition of test reports

Deney ve /veya ölçüm sonuçları, genişletilmiş ölçüm belirsizlikleri (olması halinde) ve deney metodları bu sertifikanın tamamlayıcı kısmı olan takip eden sayfalarda verilmiştir .

The test and/or measurement results, the uncertainties (if applicable) with confidence probability and test methods are given on the following pages which are part of this report.

Mühür
Seal

Yayımlandığı Tarih
Date

Deney Sorumlusu
Person in charge of test

Onaylayan
Approval



22.06.2023

e-signed
Osman AYYILDIZ

e-signed
Ali BAYRAKTAR

Bu rapor, laboratuvarın yazılı izni olmadan kısmen kopyalanıp çoğaltılamaz.

İmzasız ve mühürsüz raporlar geçersizdir.

This report shall not be reproduced other than in full except with the permission of the laboratory. Testing reports without signature and seal are not valid

1. SCOPE

Fire resistance test, in conformity with the general requirements of standards EN 1363-1:2020, with substitute or additional methods of standard EN 1363-2:1999 and with the particular requirements of standard EN 12101-3:2015 "**Smoke and heat control systems - Part 3: Specification for powered smoke and heat exhaust ventilators - Annex C: Test method for the determination of fire resistance of powered smoke and heat control ventilators**"

2. TEST LABORATORY

Name : EFECTIS ERA AVRASYA TEST VE BELGELENDİRME A.Ş.

Adress : Dilovası OSB 5. Kısım Fırat Cad. No:18 41455 Dilovası, Kocaeli / TÜRKİYE

3. TEST NUMUNESİNİN TANIMI

3.1. Genel

Product Identification : Powered Smoke and Heat Exhaust Axial Fan – **FAF-125**

Direction of flow : Motor downstream direction

Application : Inside the furnace

Temperature class : F300

Manufacturer : ÖZTÜRK HAVALANDIRMA İKLİMLENDİRME SAN. TİC. LTD. ŞTİ.
Ferhatpaşa Mh. Aytaşı Sk. No: 63/2 Ataşehir, İstanbul / TÜRKİYE

Sponsor of test : ÖZTÜRK HAVALANDIRMA İKLİMLENDİRME SAN. TİC. LTD. ŞTİ.
Ferhatpaşa Mh. Aytaşı Sk. No: 63/2 Ataşehir, İstanbul / TÜRKİYE

Bu rapor, laboratuvarın yazılı izni olmadan kısmen kopyalanıp çoğaltılamaz.

İmzasız ve mühürsüz raporlar geçersizdir.

This report shall not be reproduced other than in full except with the permission of the laboratory. Testing reports without signature and seal are not valid

3.2. Description of test sample

3.2.1. Fan

3.2.1.1. Carcase

Material : St 44 steel

Dimensions :

- Overall diameter : 1350 mm
- Inner diameter : 1250 mm
- Outside length : 1010 mm
- Wall thickness : 6 mm
- Carcase support : 5 pcs. of St 44 steel plate were used for fixing the fan.
 - Steel plate dimensions : 1063 x 53 x 342 x 6 mm (w x d x h x t)
 - Fixing : M16 steel screws. (10 pcs.)

3.2.1.2. Impeller:

Material : Special aluminium alloy (AlSi12Cu1(Fe))

Number of blades : 10

Nominal tip gap : 10 mm

Nominal dimensions :

- Overall diameter : 1230 mm
- Blade length : 350 mm
- Blade thickness : 4 mm
- Fastening : Each impeller placed inside to the hub casing and fixed with 10 pcs. nut.

3.2.1.3. Hub:

Material : Special aluminium alloy (AlSi12Cu1(Fe))

Nominal dimensions : 60 x 30 mm (\varnothing x d) – bearing clearance
530 x 110 mm (\varnothing x d) – for hub

Fastening : Hub fixed with 10 pcs. of nut.

Bu rapor, laboratuvarın yazılı izni olmadan kısmen kopyalanıp çoğaltılamaz.

İmzasız ve mühürsüz raporlar geçersizdir.

This report shall not be reproduced other than in full except with the permission of the laboratory. Testing reports without signature and seal are not valid

3.2.1.4. Motor

Model number : GAMAK-GM3ED 250M
Rating : Motor Insulation H, Protection class IP55, Temperature rise class B (ΔT 80K)
Carcase : 250M
Speed : 1480 rpm
Electrical information : 400 V, 50 Hz, 55 kW, 96 A, $\cos\Phi$: 0,87
Application : Uninsulated, smoke and heat exhaust.
Bearing type : Ball bearing-ZZ
Class of fit : C4
Arrangement : Not locked
Lubricant : KRYTOX CORRUGATOR 226 FG-DUPONT

- Power cable: Halogen free silicon fire resistance cable
 - Cable cross section: 1 x 16 mm²

Bu rapor, laboratuvarın yazılı izni olmadan kısmen kopyalanıp çoğaltılamaz.

İmzasız ve mühürsüz raporlar geçersizdir.

This report shall not be reproduced other than in full except with the permission of the laboratory. Testing reports without signature and seal are not valid

4. PRE-TEST PROCESSES

Efectis Era Avrasya Test ve Belgelendirme A.Ş. verified the used materials and parts against the supplied data and drawings during installation of the test specimen and not involved in the selection of test specimen.

Brand, type, quantity and dimension information of the components, when it is not possible to be verified by the laboratory, are given according to the sponsor's declaration. Drawings included in this report are provided by the test sponsor.

The test specimen was assembled by the manufacturer.

4.1. Tip clearances measurements

- Declared nominal value : 10 mm
- Measured mean value : 10 mm

5. TEST PROCESS

5.1. Method

The fire test was conducted according to the TS EN 12101-3:2015, Annex C.
The heating of the furnace followed as specified in the EN 12101-3:2015, Annex C.

5.2. Measurements

Following test data were measured during the test:

- Air temperatures at the intake plane of the fan (Furnace TC1 to Furnace TC4) (see figure A1).
- Ambient temperature in the laboratory (see figure A3).
- Static pressure at the intake plane of the fan (see figure A2).
- Surface temperatures on the motor carcass (See Figure B2)
- Current of the motor (see figure B3)
- Supply voltage of the motor (see figure B4)
- Electrical power of the motor (see figure B5)
- The positions of the thermocouples on motor carcass are given in figure B1.

Following equipment were used during the measurement related to test specimen:

- Static pressure of the fan: Piezometric ring connected to differential pressure transmitter
- Electrical measurement: Power analyser
- Temperature measurement on motor carcass: Fibre-glass insulated Type K Thermocouple

Bu rapor, laboratuvarın yazılı izni olmadan kısmen kopyalanıp çoğaltılamaz.

İmzasız ve mühürsüz raporlar geçersizdir.

This report shall not be reproduced other than in full except with the permission of the laboratory. Testing reports without signature and seal are not valid

6. OBSERVATIONS

Table 1: Observations during test.

-70	The fan was switched on and the motor started warming up.
-10	Heating started.
0	Target temperature (300 °C) reached. Test started.
15	The fan was switched off.
17	The fan was switched on.
60	No changes were observed.
90	No changes were observed.
122	Test was terminated with approval of the sponsor.

7. TEST RESULTS

7.1 Results

The results are given in Table 2 and appendices B.

7.2 Uncertainty of measurements

Due to the nature of fire resistance testing, in which several non-linear effects are present in both the test configuration and the test specimen, which influence each other, it is at this moment not yet possible to give a stated degree of uncertainty of measurement.

8. SUMMARY

Table 2: Summary of test results of the test specimen

Functionality, (F) – Static pressure – Motor	No failure (- %4,76) No failure
Test was terminated at 122 nd minute with approval of the sponsor.	

Bu rapor, laboratuvarın yazılı izni olmadan kısmen kopyalanıp çoğaltılamaz.

İmzasız ve mühürsüz raporlar geçersizdir.

This report shall not be reproduced other than in full except with the permission of the laboratory. Testing reports without signature and seal are not valid

9. DRAWINGS

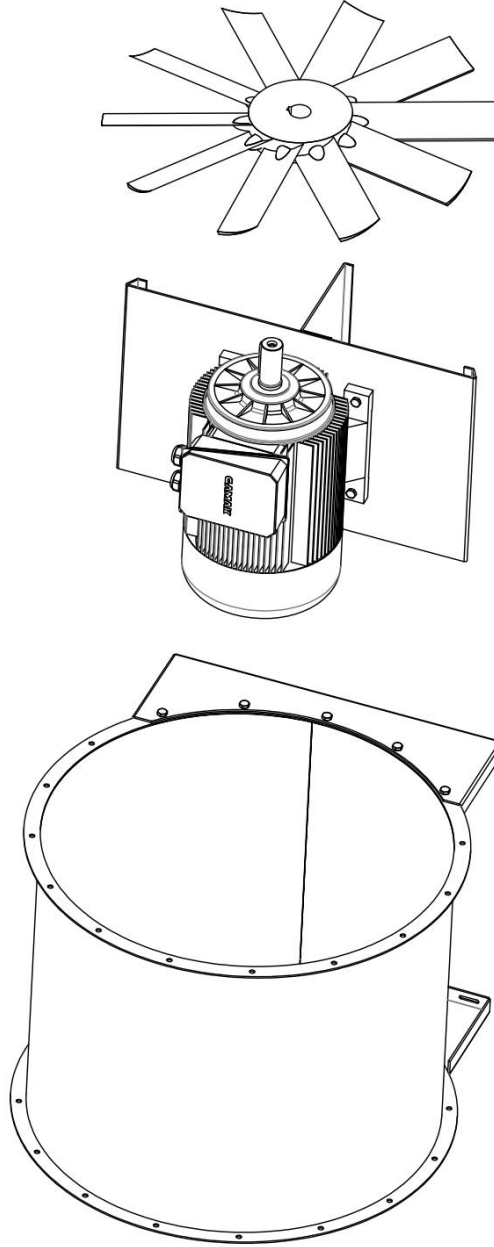


Figure 1: Exploded picture of the specimen

Bu rapor, laboratuvarın yazılı izni olmadan kısmen kopyalanıp çoğaltılamaz.

İmzasız ve mühürsüz raporlar geçersizdir.

This report shall not be reproduced other than in full except with the permission of the laboratory. Testing reports without signature and seal are not valid

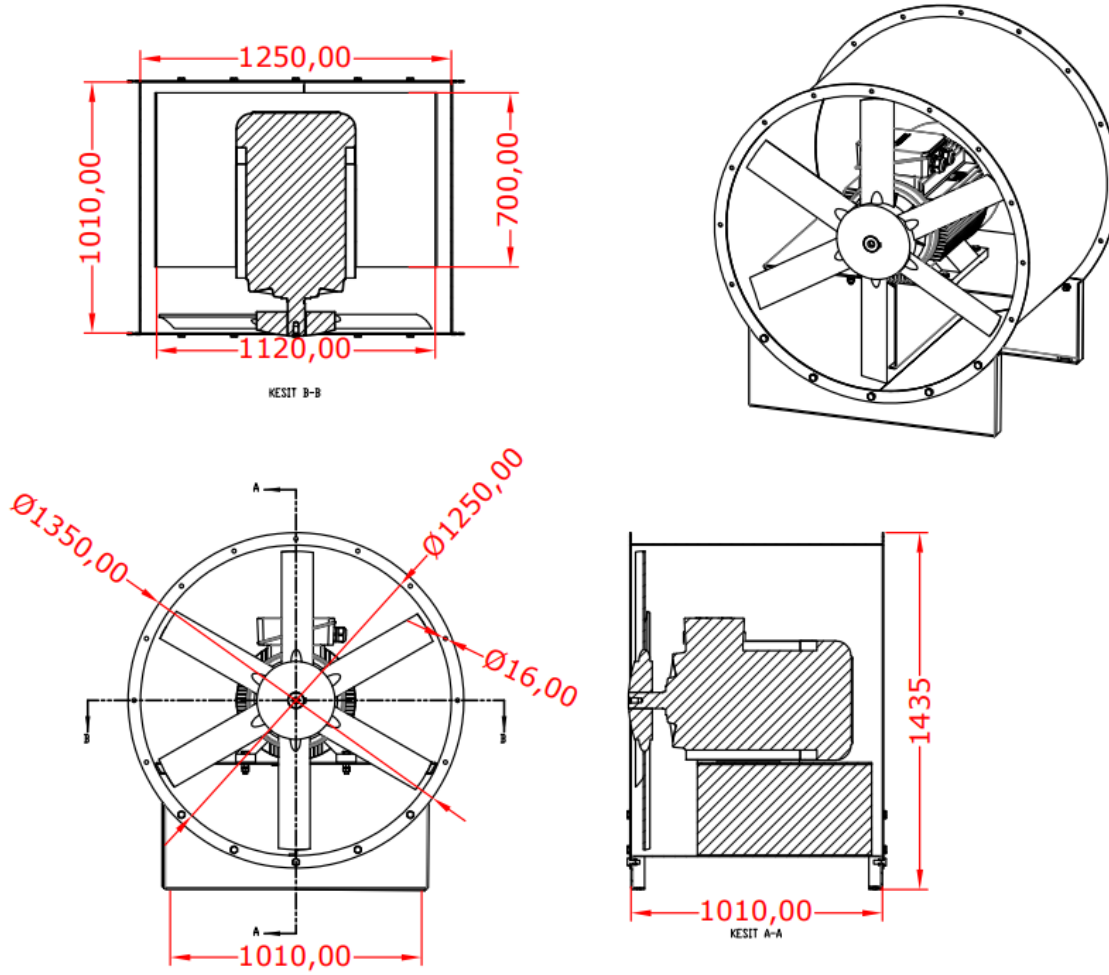


Figure 2: Test specimen details

Bu rapor, laboratuvarın yazılı izni olmadan kısmen kopyalanıp çoğaltılamaz.

İmzasız ve mühürsüz raporlar geçersizdir.

This report shall not be reproduced other than in full except with the permission of the laboratory. Testing reports without signature and seal are not valid

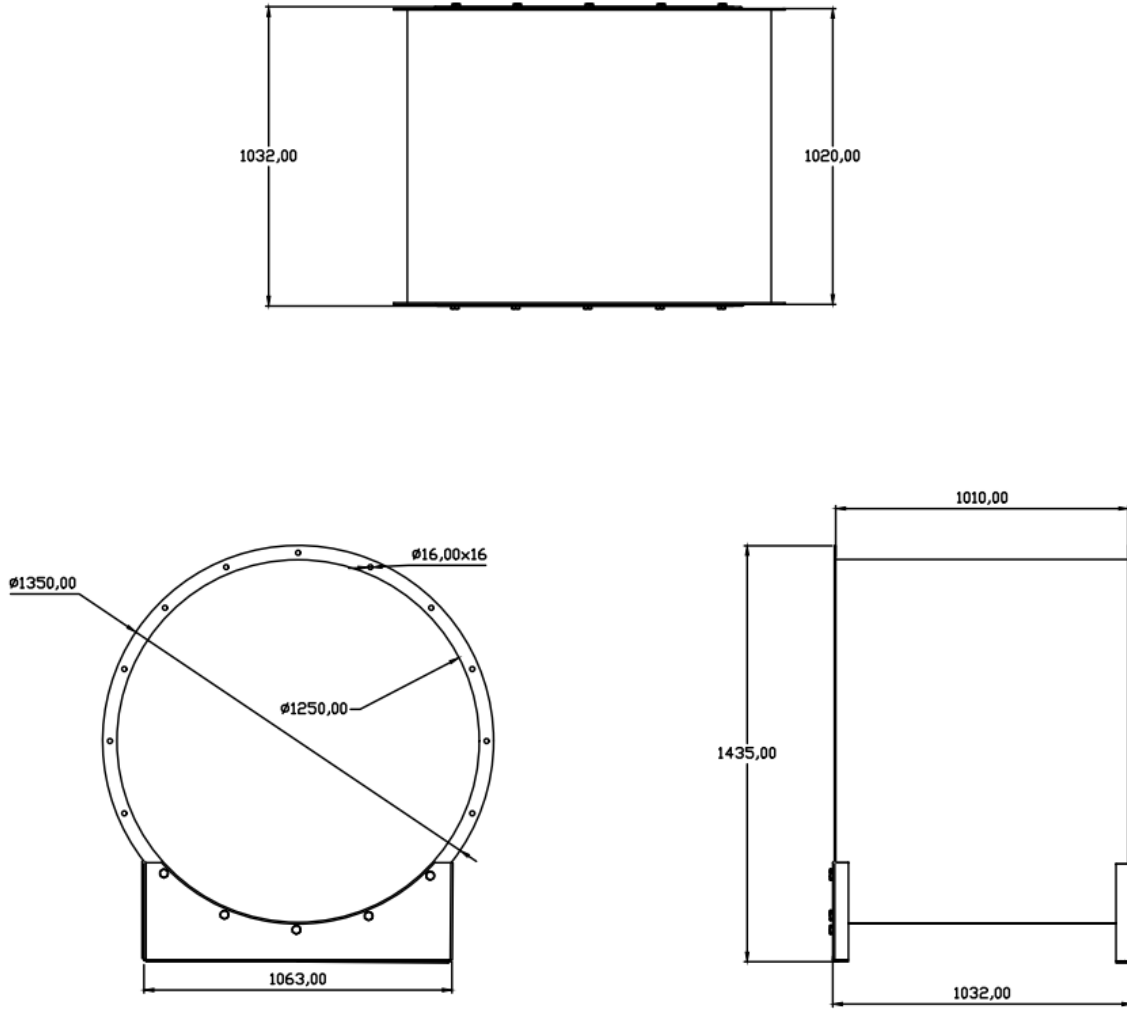


Figure 3: fan carcass details

Bu rapor, laboratuvarın yazılı izni olmadan kısmen kopyalanıp çoğaltılamaz.

İmzasız ve mühürsüz raporlar geçersizdir.

This report shall not be reproduced other than in full except with the permission of the laboratory. Testing reports without signature and seal are not valid

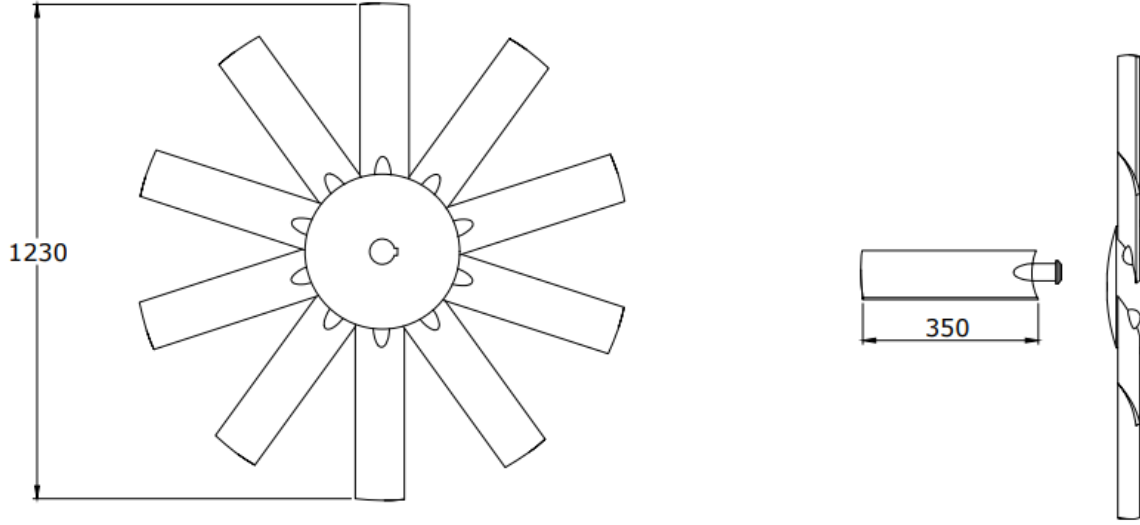


Figure 4: Impeller details

Bu rapor, laboratuvarın yazılı izni olmadan kısmen kopyalanıp çoğaltılamaz.

İmzasız ve mühürsüz raporlar geçersizdir.

This report shall not be reproduced other than in full except with the permission of the laboratory. Testing reports without signature and seal are not valid

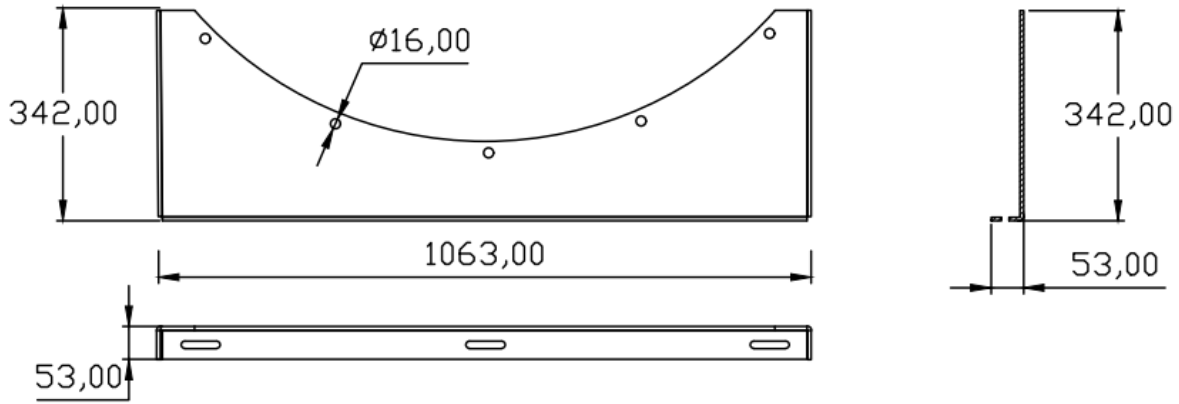
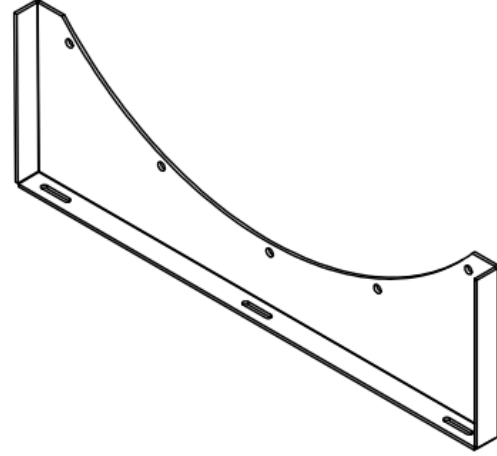
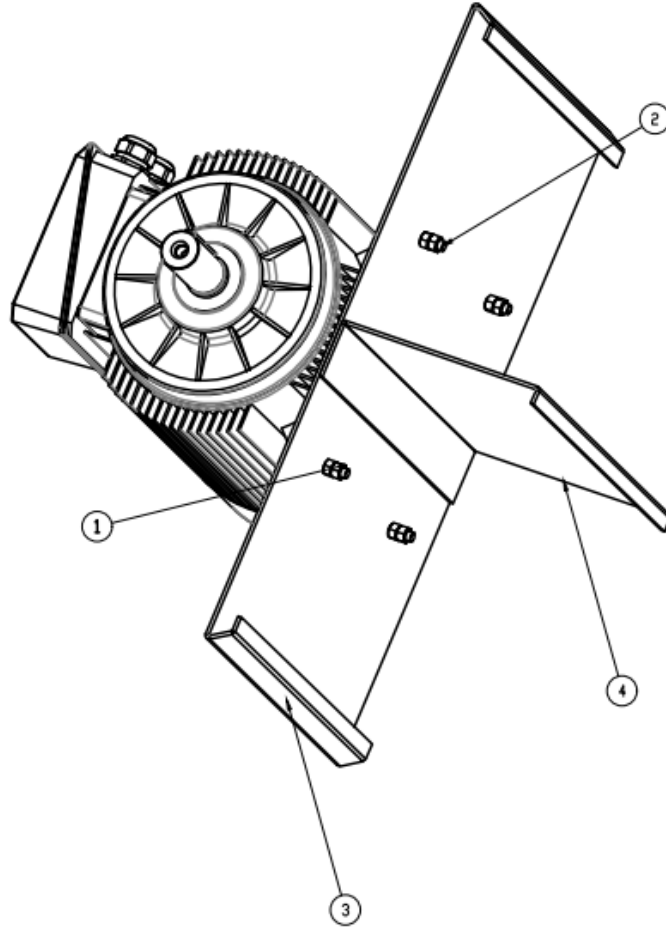


Figure 5: Carcase support details

Bu rapor, laboratuvarın yazılı izni olmadan kısmen kopyalanıp çoğaltılamaz.

İmzasız ve mühürsüz raporlar geçersizdir.

This report shall not be reproduced other than in full except with the permission of the laboratory. Testing reports without signature and seal are not valid



ÖĞE NO	PARÇA NUMARASI	ADET
1	M16 SOMUN	8
2	M16x100 CİVATA	4
3	6MM MOTOR SEHPASI	1
4	6MM MOTOR SEHPA DESTEK	1

Figure 6: Motor connecting details

Bu rapor, laboratuvarın yazılı izni olmadan kısmen kopyalanıp çoğaltılamaz.

İmzasız ve mühürsüz raporlar geçersizdir.

This report shall not be reproduced other than in full except with the permission of the laboratory. Testing reports without signature and seal are not valid

APPENDICES:

Appendix A: Furnace and laboratory conditions

Appendix B: Test results

Appendix C: Photos

Bu rapor, laboratuvarın yazılı izni olmadan kısmen kopyalanıp çoğaltılamaz.

İmzasız ve mühürsüz raporlar geçersizdir.

This report shall not be reproduced other than in full except with the permission of the laboratory. Testing reports without signature and seal are not valid

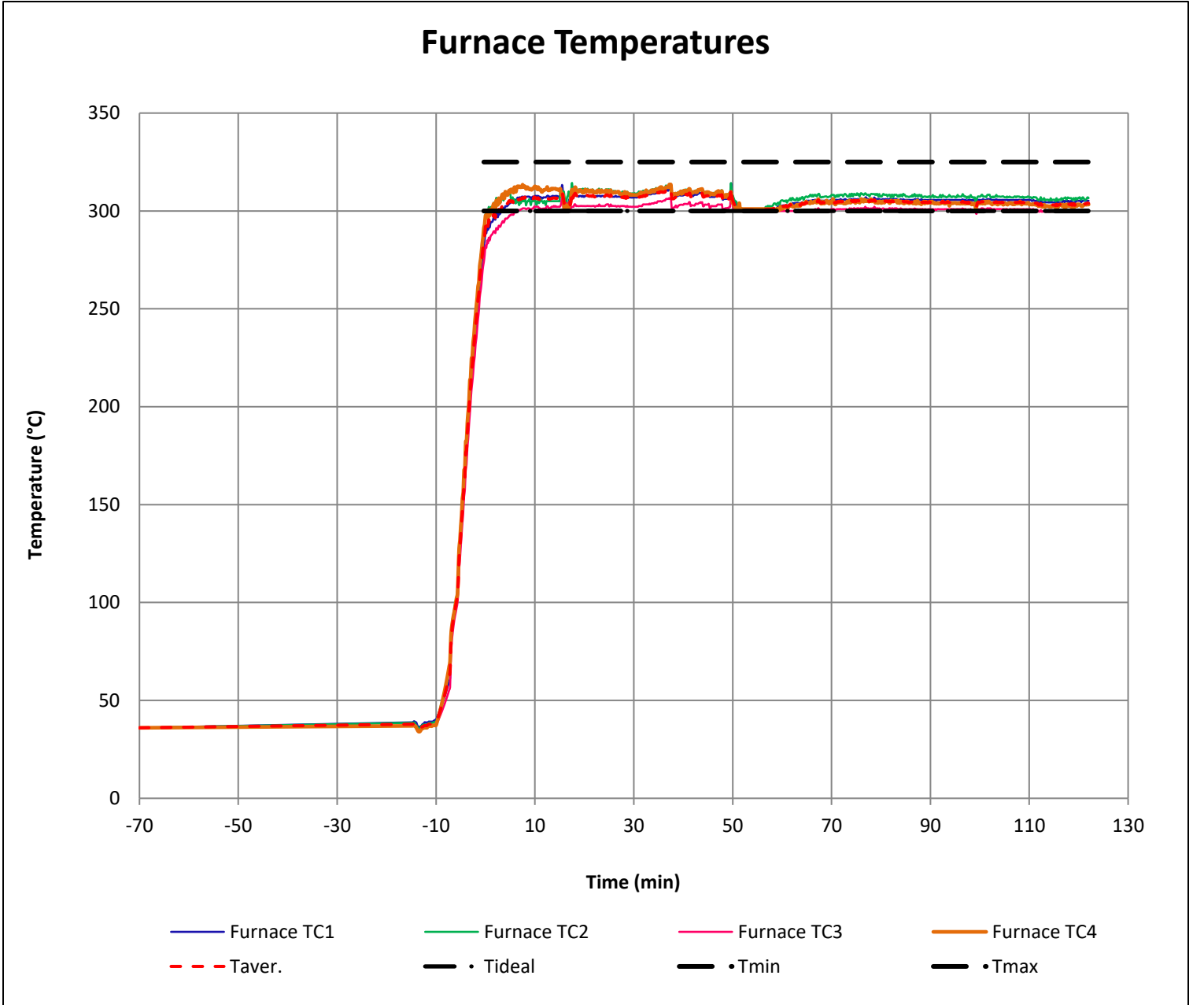


Figure A1: Furnace temperatures

Bu rapor, laboratuvarın yazılı izni olmadan kısmen kopyalanıp çoğaltılamaz.

İmzasız ve mühürsüz raporlar geçersizdir.

This report shall not be reproduced other than in full except with the permission of the laboratory. Testing reports without signature and seal are not valid

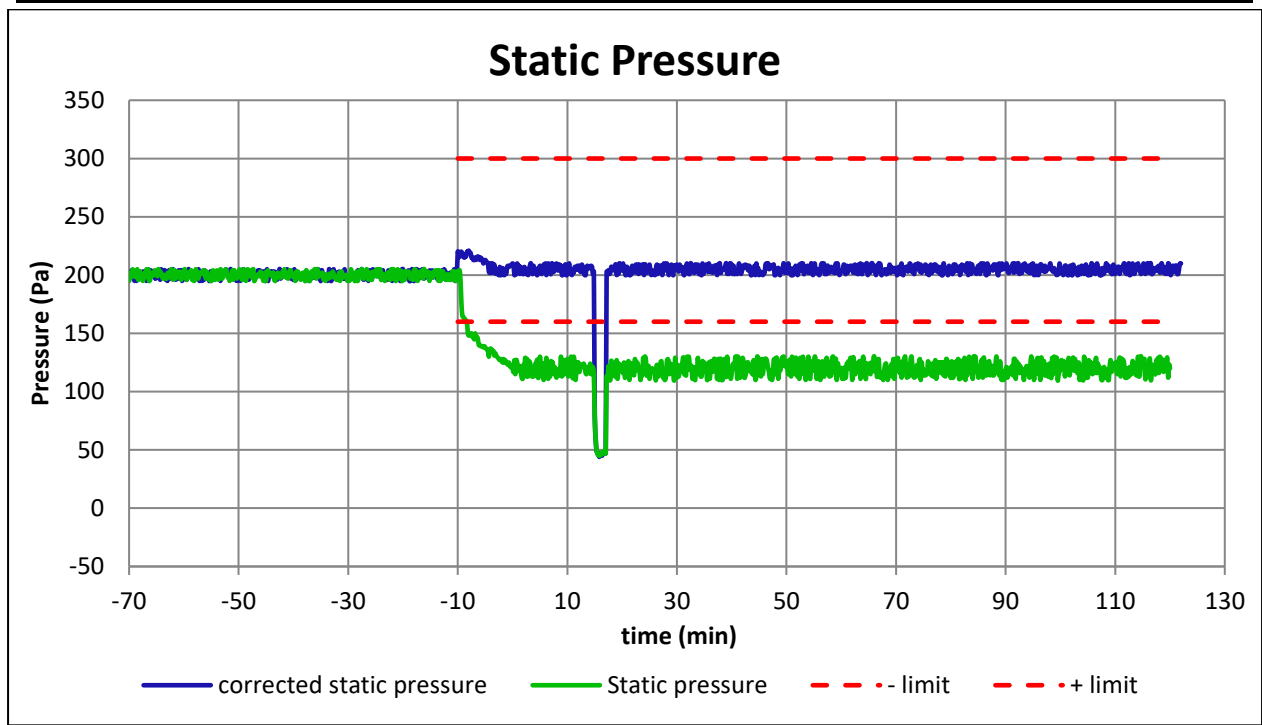


Figure A2: Static pressure of fan

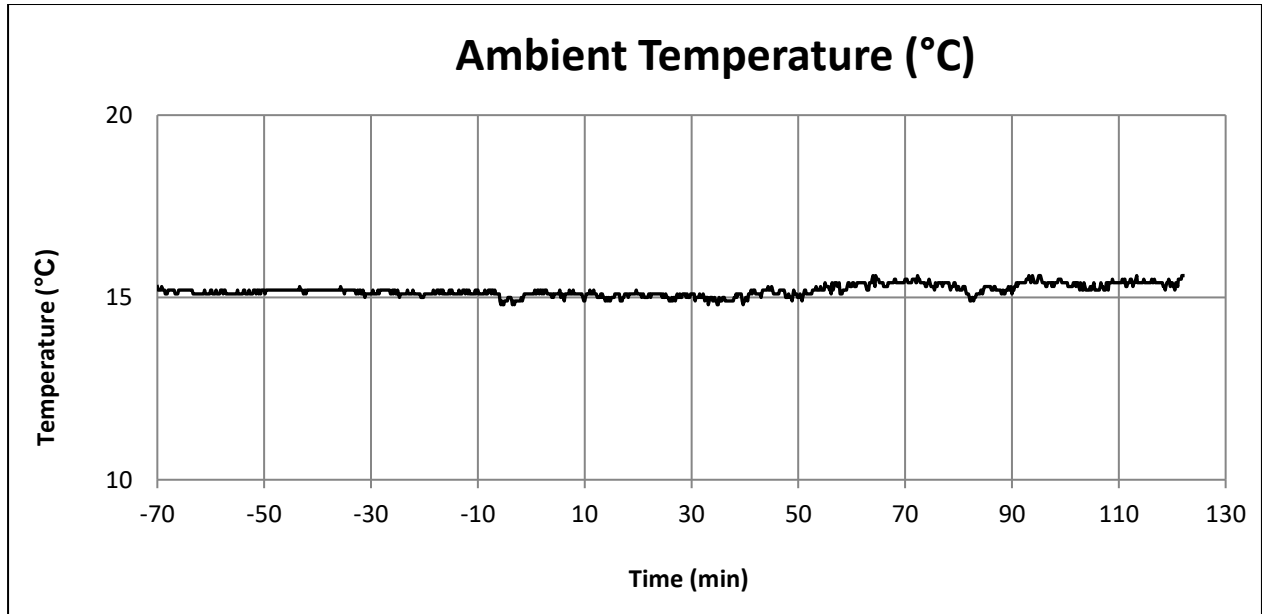


Figure A3: Ambient temperature at laboratory

Bu rapor, laboratuvarın yazılı izni olmadan kısmen kopyalanıp çoğaltılamaz.

İmzasız ve mührsüz raporlar geçersizdir.

This report shall not be reproduced other than in full except with the permission of the laboratory. Testing reports without signature and seal are not valid

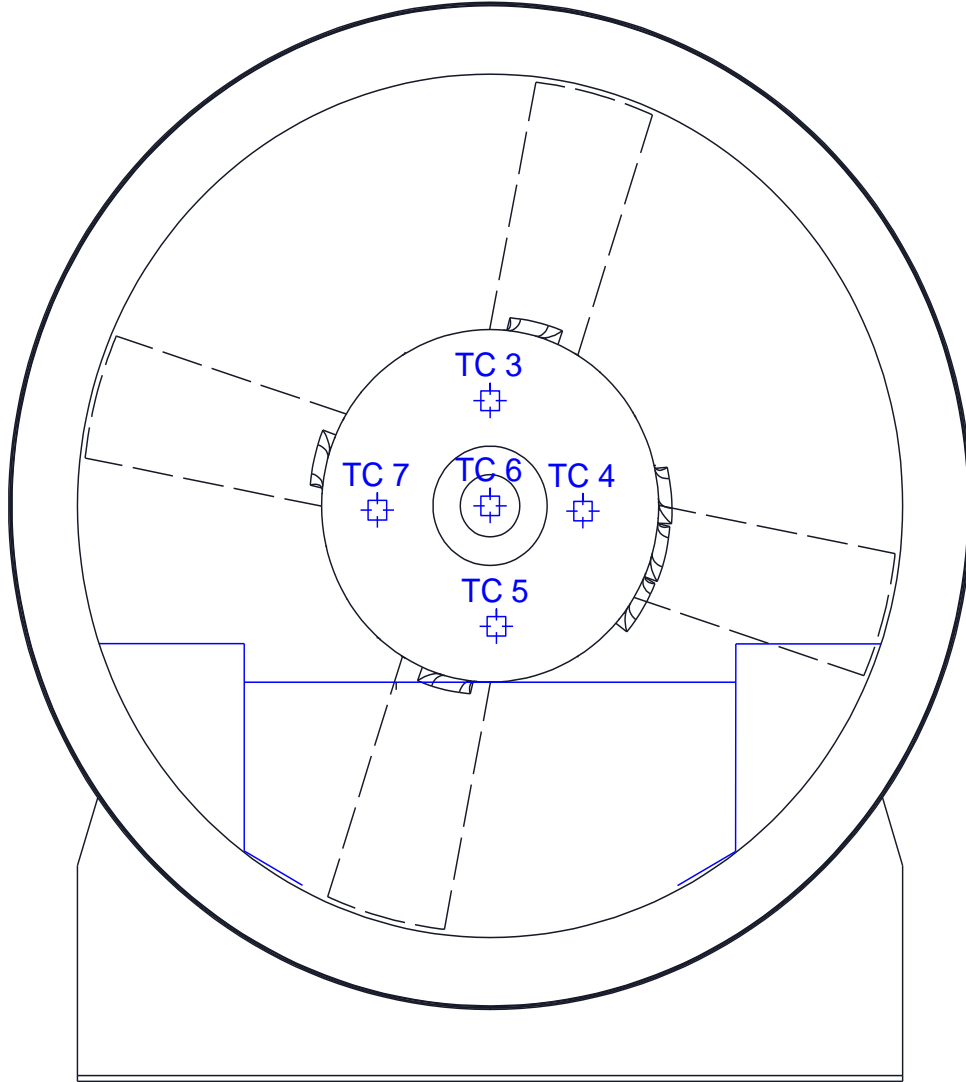


Figure B1: Locations of thermocouples on the motor carcass

Bu rapor, laboratuvarın yazılı izni olmadan kısmen kopyalanıp çoğaltılamaz.

İmzasız ve mühürsüz raporlar geçersizdir.

This report shall not be reproduced other than in full except with the permission of the laboratory. Testing reports without signature and seal are not valid

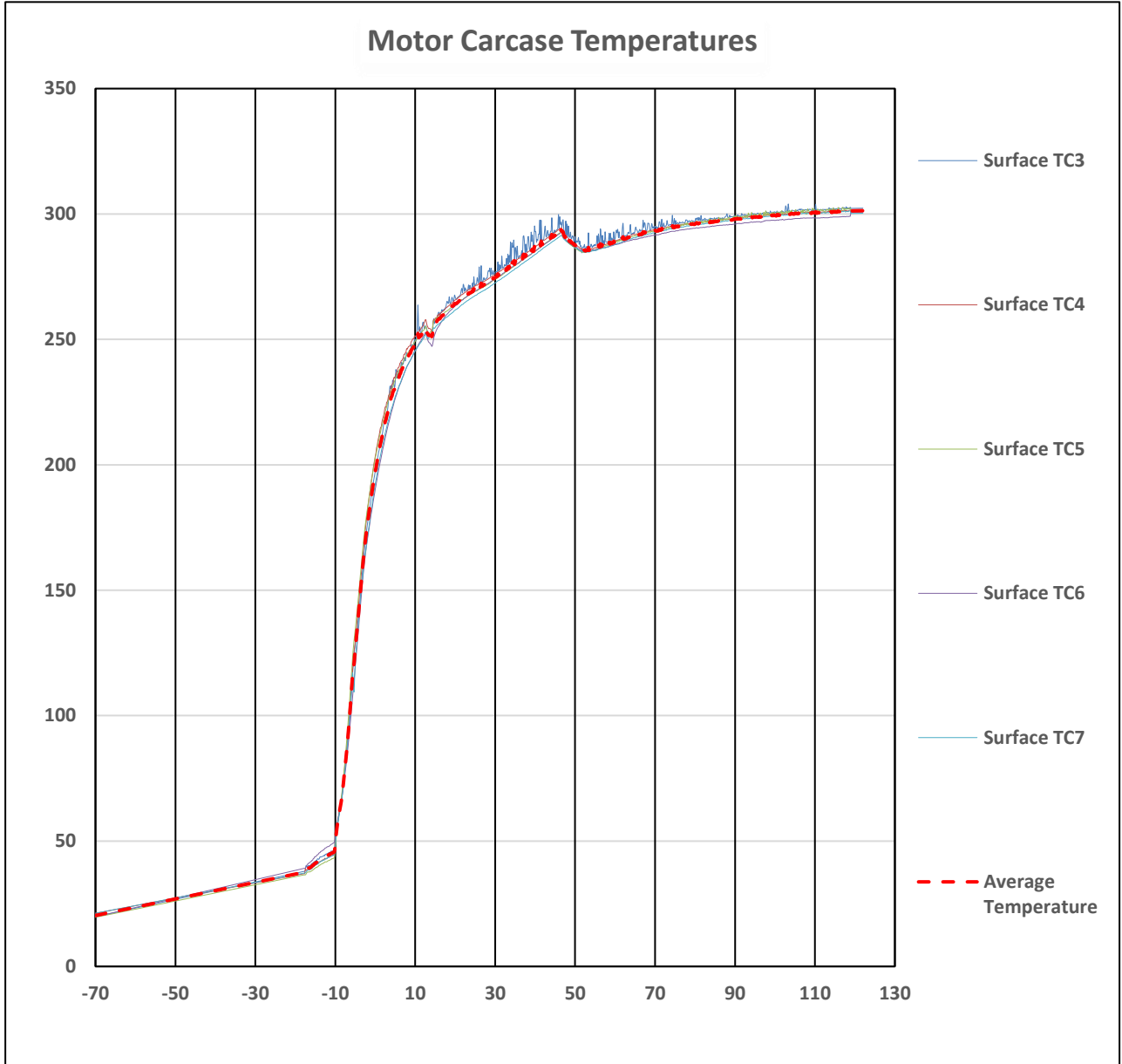


Figure B2: Surface temperatures on motor carcase

Bu rapor, laboratuvarın yazılı izni olmadan kısmen kopyalanıp çoğaltılamaz.

İmzasız ve mühürsüz raporlar geçersizdir.

This report shall not be reproduced other than in full except with the permission of the laboratory. Testing reports without signature and seal are not valid

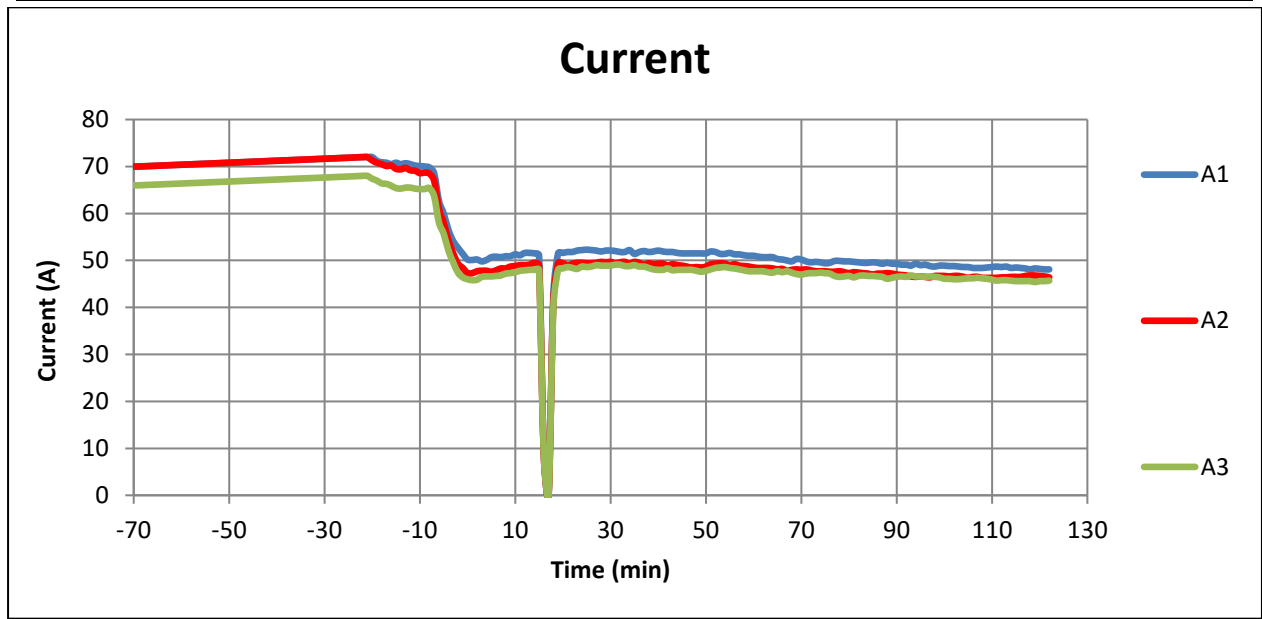


Figure B3: Motor current reading during test

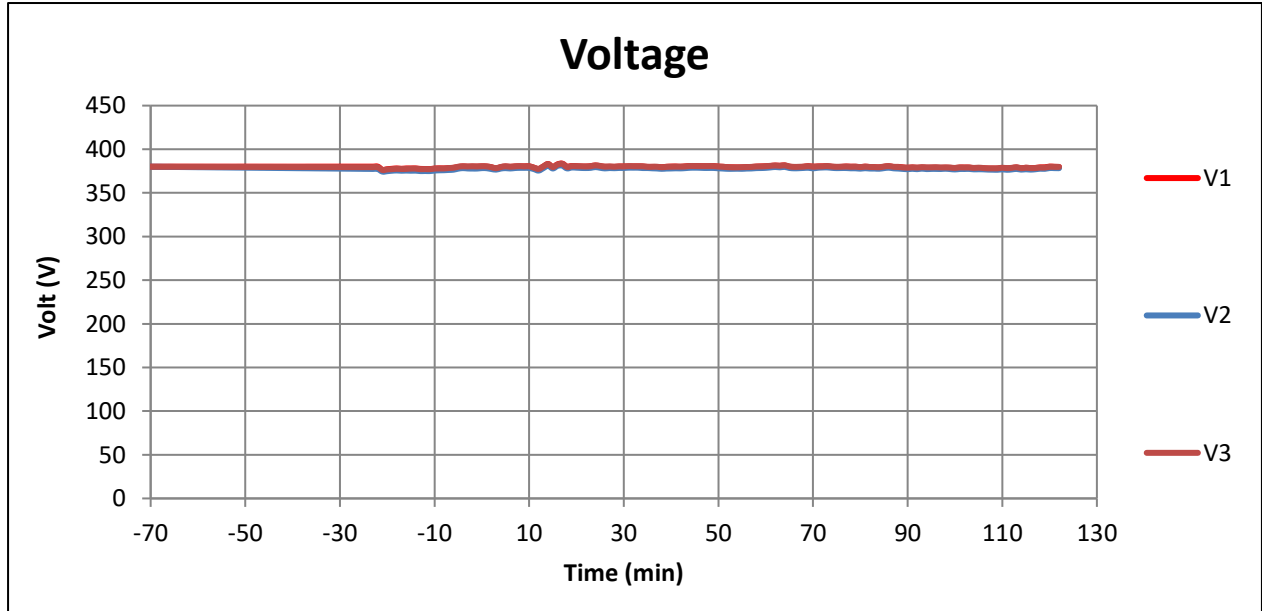


Figure B4: Motor voltage reading during test

Bu rapor, laboratuvarın yazılı izni olmadan kısmen kopyalanıp çoğaltılamaz.

İmzasız ve mührsüz raporlar geçersizdir.

This report shall not be reproduced other than in full except with the permission of the laboratory. Testing reports without signature and seal are not valid

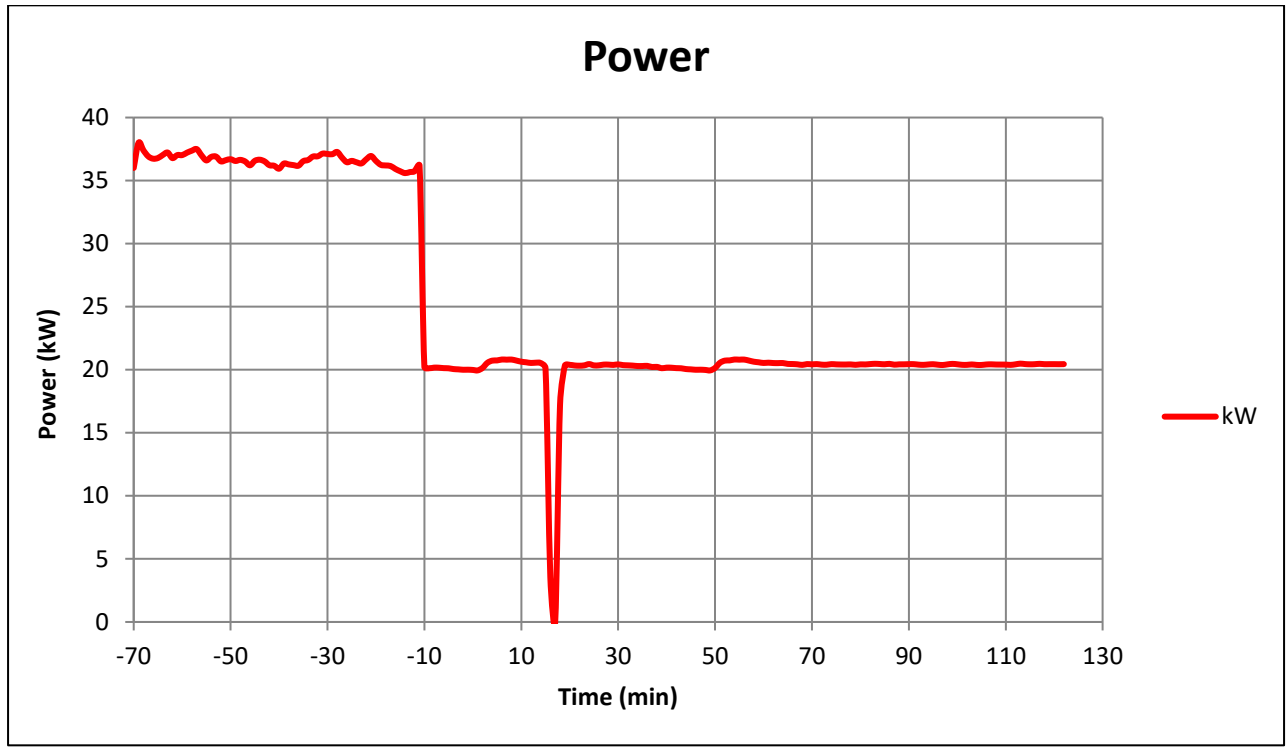


Figure B5: Motor power reading during test

Bu rapor, laboratuvarın yazılı izni olmadan kısmen kopyalanıp çoğaltılamaz.

İmzasız ve mühürsüz raporlar geçersizdir.

This report shall not be reproduced other than in full except with the permission of the laboratory. Testing reports without signature and seal are not valid



Photo C1: Front view of the specimen before the test

Bu rapor, laboratuvarın yazılı izni olmadan kısmen kopyalanıp çoğaltılamaz.

İmzasız ve mühürsüz raporlar geçersizdir.

This report shall not be reproduced other than in full except with the permission of the laboratory. Testing reports without signature and seal are not valid



Photo C2: Rear view of the specimen before the test

Bu rapor, laboratuvarın yazılı izni olmadan kısmen kopyalanıp çoğaltılamaz.

İmzasız ve mühürsüz raporlar geçersizdir.

This report shall not be reproduced other than in full except with the permission of the laboratory. Testing reports without signature and seal are not valid